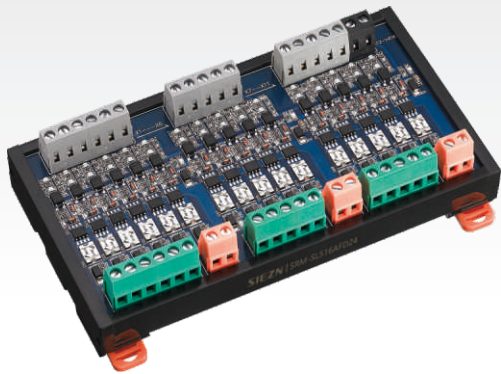


SRM-SL5/SL6

DC Amplifier Board with short-circuit protection/DC high-power Amplifier Board with short-circuit protection
PLC直流带短路保护放大板/直流带短路保护大功率放大板



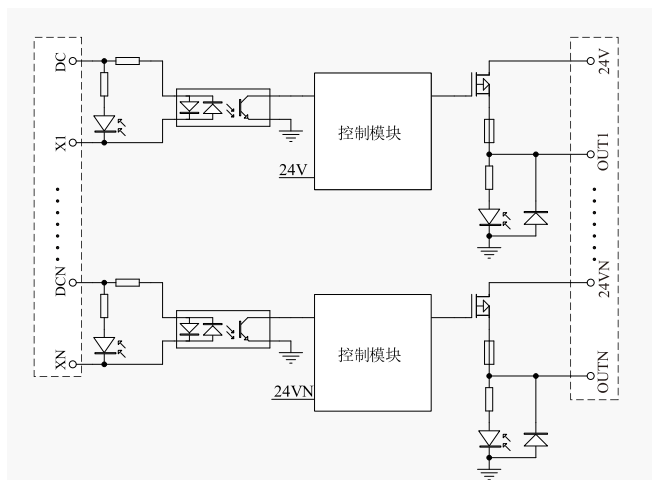
产品特点 FEATURES

- 进口IR大功率MOSFET场效应管输出，瞬间冲击电流可达10A
- NPN/PNP兼容型，共正极输入(NPN)、共负极输入(PNP)均可，LED指示灯显示，每路工作状态一目了然
- 每路带自恢复保险，输出短路、超载时自动截至输出，故障解除后自动回复输出
- 采用小体积设计，电柜空间站比小，节省电柜空间和成本
- Imported IR high-power MOSFET field effect tube output, the instantaneous impact current can reach 10A
- NPN/PNP compatible type, both positive input (NPN) and common negative input (PNP) are available, LED indicator shows, the working status of each channel is clear at a glance
- Each channel has self-recovery insurance, and the output is automatically cut off when the output is short-circuited or overloaded, and the output is automatically restored after the fault is removed
- Small size design, small space station ratio of electric cabinet, saving electric cabinet space and cost

外形尺寸 DIMENSIONS

型号 Model	位数 Bit	长x宽x高HxWxH(mm)
SRM-SL504AFD24	4	87x85x46
SRM-SL506AFD24	6	88x85x46
SRM-SL508AFD24	8	112x85x46
SRM-SL510AFD24	10	140x85x46
SRM-SL512AFD24	12	170x85x46
SRM-SL516AFD24	16	217x85x46
SRM-SL520AFD24	20	280x85x46
SRM-SL524AFD24	24	330x85x46
SRM-SL604AFD24	4	68x85x46
SRM-SL608AFD24	8	120x85x46
SRM-SL616AFD24	16	230x85x46

接线图 WIRING DIAGRAM



规格参数 SPECIFICATIONS

• 产品名称 Product name	PLC扩展板直流模块 PLC expansion board DC module
• 控制部件 Control unit	进口大功率MOSEFET Imported MOSEFET
• 输入电压 Input voltage	24V(默认24V, 控制范围3V~24V, 如需其他请注明) 24V (default 24V, control range 3V~24V, please specify if you need others)
• 输入信号 Input signal	兼容NPN(输入0V信号有效)及PNP(输入24V信号有效) Compatible with NPN (input 0V signal is valid) and PNP(Input 24V signal is valid)
• 安装方式 Installation method	标准导轨安装(可安装在NS35/7.5或NS32导槽上) DIN rail installation(NS35/7.5 or NS32)
• 负载电流(每路) Load current (per Bit)	阻性负载≤2.5A(瞬间10A) 感性负载≤2A(瞬间10A) Resistive load≤2.5A(Moment 10A) Inductive load≤2A(Moment 10A)
• 输入最小驱动电流 Input min. current	≥5mA
• 输入响应时间 Enter response time	≥0.3ms
• 大开关频率 Large switching frequency	<3K
• 存储温度 Storage temperature	-40°C~150°C
• 工作温度 Operating temperature	-20°C~70°C
• 机械寿命 Mechanical life	≥1亿次 ≥100 million times
• 回路绝缘 Loop insulation	光耦隔离 Optocoupler isolation
• 短路保护 Short circuit protection	SL5: 3A SL6: 5A
• 连接方式 Connection method	5.08端子(拔插端子座) 5.08 terminal (plug terminal block)
• 动作指示灯 Action indicator	输入ON时, 输入指示灯亮绿色, 输出无指示灯 When the input is ON, Input indicator green, Output without indicator light
• 瞬时冲击电流 Impulse current	10A
• 自恢复保护(每路) Self-healing protection	≥3A
• 持续工作电流 Continuous current	2A以内