

SRM-TTE32C

Auxiliary Transition Terminal Block
辅助型转换端子台



产品特点 FEATURES

- SRM-TTE32C转换板对应KEYENCE的KV-C32XA/C, KV-C64XA/C, KV-C32TA/C, KV-C64TA/C的扩展I/O模块连接使用, 将32位模块转换为4组8位单元, 对应4组10P连接器, 全连接器插头实现了整体配线。
- 此款配合本公司C,M,K,T,P系列其它产品, 完全实现高效率省配线的连接, 灵活的运用使配线工作更快捷。
- SRM-TTE32C is applicable to the connection of expanded I/O modules of KEYENCE, including KV-C32XAC, KV-C64XA/C, KV-C32TA/C and KV-C64TA/C; By converting the 32 bit module into 4 sets of 8 bit unit, which are corresponding to 4 sets of 10 pin connector, all input signals can be connected using connectors.
- When used in combination with other T series products, it can increase the efficiency of wiring work and saves time, flexible wiring to maximize efficiency.

注意事项 Note

- 订购前请确认负载类型和大小, 选择使用合适方式进行控制。
- 和PLC连接时, 请勿必使用本公司开发的与之对应的专用电缆线。
- Before ordering, please confirm the load type and size, choose the suitable way to control.
- When PLC connection, please be sure to use the company developed and the corresponding special cable.

关联产品 RELATED PRODUCTS

适用电缆 Suitable cable X200-3 X210-3

选型参考 TYPE SELECTION REFERENCE

型号 Model	SRM-TTE32C
名称 Name	KEYENCE 32位专用中转端子台

规格参数 SPECIFICATIONS

输入 INPUT	
• 额定电流 Nominal operating current	1A
• 额定电压 Nominal coil voltage	DC 24V
输出侧对应 Corresponding output Devices	SRM-TSAM08/N, TSTM08/N SRM-RA108BND24/G8, RA108BCD24/G8 SRM-RA108GND24/G8, RA108GCD24/G8 SRM-RA108FND24/G8, RA108FCD24/G8

适用PLC SUITABLE PLC

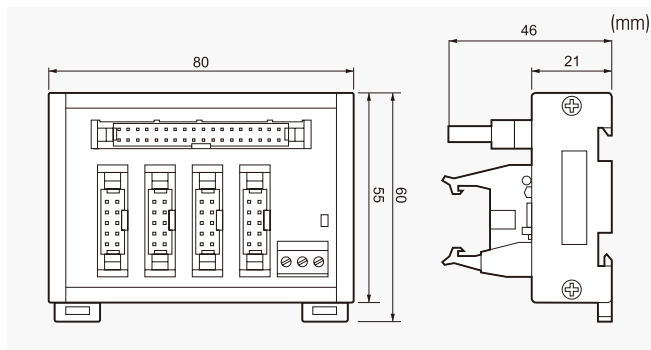
KEYENCE	KV-C32XA/C KV-C64XA/C	KV-C32TA/C KV-C64TA/C
---------	--------------------------	--------------------------

适合电线 SUITABLE WIRE

剥线长度: 6mm 1.5mm² Following /AWG16



外形尺寸图 DIMENSIONS



接线图 WIRING DIAGRAM

