

SRM-RA4

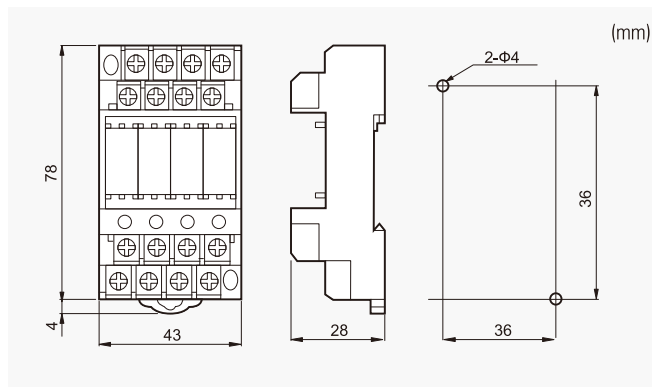
Signal Relay Module
信号继电器模块



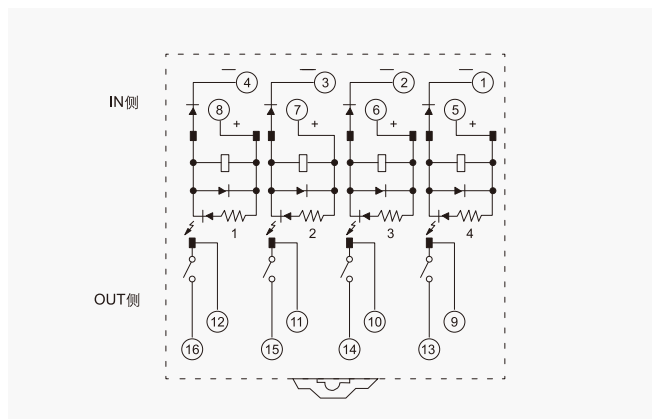
SRM-RA404AND24特点 FEATURES

- 内置4个小型、高灵敏度、耐高压的5A功率开关的G6B微型继电器；
- 继电器本体为塑料密封型；
- 端子为IN/OUT分离结构，因此配线方便；
- 带动作指示LED；
- 线圈浪涌吸收用二极管内置；
- 插座专用，因此继电器的更换简单(高可靠型除外)；
- 也备有DIN导轨安装、螺钉安装共用型。
- G6B micro relay with four small, high sensitivity, high voltage resistant 5A power switches built in;
- The relay body is plastic sealed;
- The terminal is in/out separated structure, so the wiring is convenient; With action indication LED;
- Built in diode for coil surge absorption;
- Special-purpose socket, so the replacement of relay is simple (except for high reliability type);
- DIN rail mounting and screw mounting are also available.

外形尺寸图 DIMENSIONS



接线图 WIRING DIAGRAM



规格参数 SPECIFICATIONS

• 额定电压 Rated voltage		5VDC/12VDC/24VDC
• 额定负载 Rated load		AC250V 5A; DC30V 5A
• 接触电阻 Contact Resistance		100mΩ以下 Below 100mΩ
• 动作时间(实效性) Action Time(effectiveness)		10ms以下(约3ms) less than 10ms(about 3ms)
• 复位时间(实效性) Reset Time(effectiveness)		15ms以下(约4ms) less than 15ms(about 4ms)
• 绝缘电阻 Insulation Resistance		100mΩ以上(DC500V兆欧表) more the 100mΩ(DC500V megger)
• 耐电压 Withstand voltage	同极接点间 Between homopolar contacts	AC1000V 50/60Hz 1min
	异极接点间 Between different pole contacts	AC2000V 50/60Hz 1min
	接点/线圈之间 Between contacts/coils	
	异极线圈之间 Between different pole coils	AC250V 50/60Hz 1min
• 振动 Vibration	耐久 Durable	10~55~10Hz单振幅0.75 (双振幅1.5mm)
	误动作 Misoperation	10~55~10Hz single amplitude 0.75 (double amplitude 1.5mm)
• 冲击 Impulse	耐久 Durable	1000m/s ²
	误动作 Misoperation	100m/s ²
• 耐久性 Durability	机械寿命 Mechanical life	5000万次以上(开关频率18000次/h) More than 50 million times (switching frequency 18000 times/h)
	电气寿命 Electrical life	10万次以上(额定负载、开关频率1800次/h) More than 10000 times(rated load, switching frequency 1800 times/h)
• 故障率P水准 Failure rate P level		DC5V 10mA
• 使用环境温度 Operating ambient temperature		-25°C~+55°C(无结冰)
• 保存温度 Storage Temperature		-25°C~+55°C(no ice)
• 使用环境湿度 Humidity of working environment		45~85%(RH)
• 质量 Quality		约75g About 75g